

**SOLAR TRICKLE CHARGER - 12V & 24V**

**IDEAL USAGE**

For equipment with an onboard battery that is required to maintain a continuous charge whether in operation or not.

**APPLICATIONS**

- Providing seamless connectivity to pumps or generators, ensuring optimal battery charge levels during standby periods.
- Ensuring telemetry system stay active.
- Can be adapted to suit differing battery types and capacities (12V/24V).



**PERFORMANCE**

<b>Power Rating:</b>	30 W
<b>Max. magnet pull strength:</b>	10 kg
<b>IP Rating (controller):</b>	IP65
<b>Full charge time:</b>	12V: 10 hours 24V: 30 hours

**WEIGHT AND MEASURES**

<b>Dimensions (LxWxH)</b>	12V: 800 mm x 625 mm x 117 mm 24V: 1320 mm x 625 mm x 117 mm
<b>Weight:</b>	12V: 10 kg 24V: 16 kg

**MATERIALS**

<b>Panel body:</b>	304 Stainless Steel
<b>Solar Panel:</b>	Monocrystalline solar panel
<b>Enclosure:</b>	IP65 Polycarbonate
<b>Handles:</b>	304 Stainless Steel with polyolefin tubing
<b>Magnets:</b>	A3 Steel capsule, Neodym magnet with plastic protection

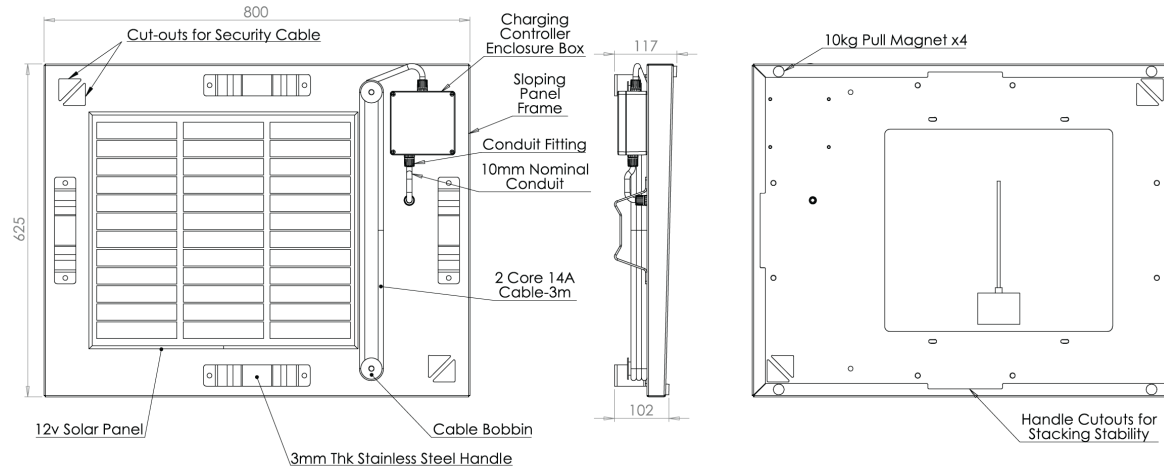
**FEATURES**

<b>Cable connections:</b>	Deutsch connectors
<b>Security cable:</b>	Lock and cable included
<b>Stackable handles:</b>	Can be stacked 4 x high during storage

**QUALITY AND SAFETY**

- 5a solar charge controller
- Prevents reverse current
- Overcharge/discharge protection
- Overload protection
- Overheating protection
- Tilted to allow water runoff
- Easy cleaning

12V



24V

