

DISPLAY & CONTROLLER

IDEAL USAGE

Multicolor Display & Controller for projects that require measurement & control of parameters like pH & level

APPLICATIONS

- Indication of level or (remaining) volume during filling/emptying of temporary containment solutions.
- Control of (dosing) pumps, alarms, actuated valves and/or other forms of automatization
- Additional visual guidance by changing display color related to programmed set points



SPECIFICATIONS

Operating voltage:

- **Nominal Voltage AC:** 100 ... 230 V (-15%, + 10%) 50/60 Hz
- **Nominal Voltage DC:** 24 ... 65 V (-15%, 10%)

Power consumption: max. 19 VA; 7 W

Number of sensors: 2 x 4 ... 20 mA/HART

Active input: Sensor supply through VEGAMET 862

Passive input: Sensor has an own voltage supply

Bluetooth standard Bluetooth 5.0

Cable entry / Connection M20 x 1.5 / 5 x cable gland PA (ø 6 - 12 mm)

Memory card type microSDHC industrial

DIGITAL INPUT

Quantity: 4 x digital input

Input type active

- **Voltage:** 14 ... 16 V DC
- **Current:** < 3 mA

Input type passive

- **Switching threshold low:** -3 ... 5 V DC
- **Switching threshold High:** 11 ... 30 V DC

RELAY OUTPUT

Quantity: 6 x operating relay, one can be configured as fail safe relay

Switching voltage: max. 250 V AC/60 V DC

Switching current: max. 1 A AC (cos phi < 0.9), 1 A DC

Breaking capacity: min. 50 mW, max. 250 VA, max. 40 W DC (with U_c, 40 V DC)

CURRENT OUTPUT

Quantity: 3 x output

Range: 0/4 ... 20 mA, 20 ... 0/4 mA

Max. load: 500 Ω

BENEFITS

- Easy-to-read display from a distance, even in sunlight and darkness
- Possibility to change display colors in order to provide additional visible guidance & warning
- Possibility to log data on a integrated SD Card
- Can be programmed to support control (dosing) pumps, actuated valves, external audible alarms etc.

AMBIENT CONDITIONS

- Ambient temperature:**
- Instrument in general -40 ... +60 °C (-40 ... +140 °F)
 - Display (readability) -20 ... +60 °C (-4 ... +140 °F)

ELECTRICAL PROTECTIVE MEASURES

Protection rating IP66/IP67 acc. to IEC 60529, Type 4X acc. to UL 50

Explosion Protection ATEX/UKEX/IEC/c-UL-us; Installation Ex-free area; intrinsically safe supply, Zone 0, 1, 2 (Class I Division 1, 2) + Zone 20, 21, 22 (Class II,III Division 1, 2)

ADJUSTMENT

Adjustment via the display and adjustment unit: The adjustment is carried out menu-driven via four front keys and a clearly arranged, graphic-capable display with background lighting.

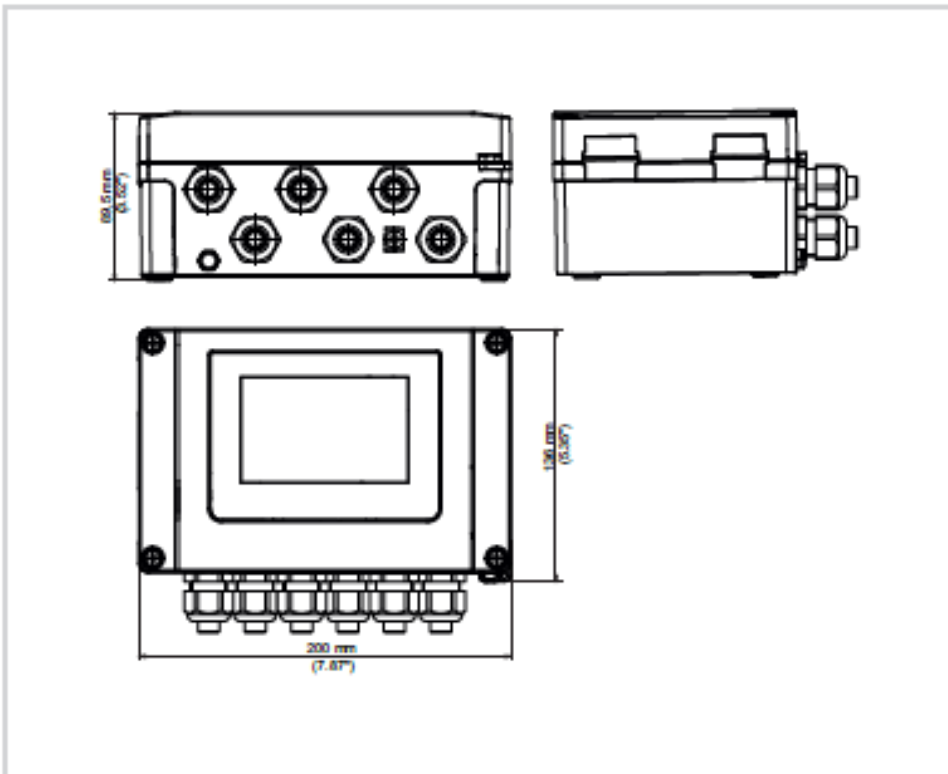
Wireless adjustment via Bluetooth: The integrated Bluetooth module enables wireless connection to smart-phones/tablets of Windows PCs

APPROVALS

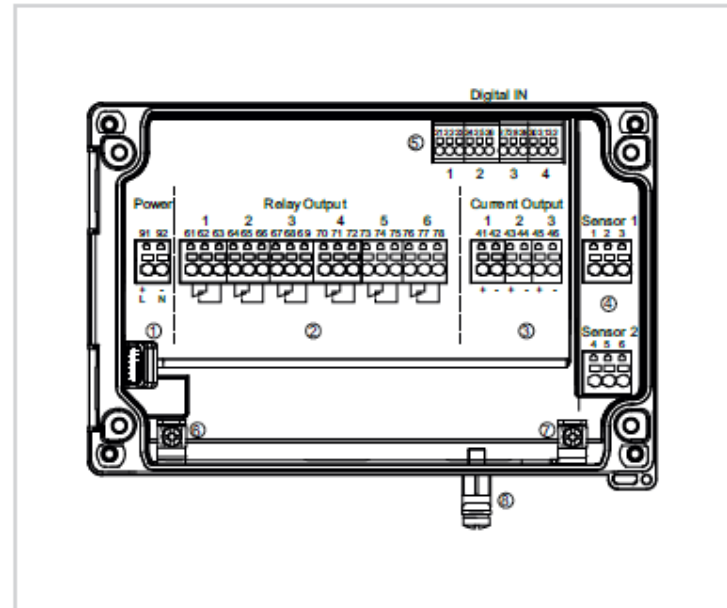
With (certificate, as WHG conform limit alarm)



Dimensions



Electrical connection



Wiring plan VEGAMET 862

- 1 Voltage supply of the controller
- 2 Relay outputs 1 ... 6
- 3 Current outputs 1 ... 3
- 4 Sensor inputs 1/2 (active/passive)
- 5 Digital inputs 1 ... 4
- 6 Ground terminal for protective conductor
- 7 Ground terminal for cable screening
- 8 Ground terminal for potential equalization