

DOSING UNIT - CASE ACIDS 0-120 L/H

IDEAL USAGE

Projects that require the safe transfer of acids in a range up to 120 l/h with a maximum pressure of 7 bar

APPLICATIONS

- Neutralisation of effluent prior to discharge
- Change of pH before further chemical treatment
- Introduction of acids for precipitation



PERFORMANCE

Capacity:	0 - 120 l/h with back pressure at 7 bar
Suction Lift:	3 m in operation 1.5 m at 100% stroke
Max temperature:	45 °C
Back pressure:	7 bar
Turn down ratio:	1000:1

WEIGHT AND MEASURES

Dimensions (HxWxL):	480 mm x 450 mm x 450 mm
Weight:	21 kg approx (empty)

FEATURES

CONNECTIONS

Suction & Discharge:	19 mm Hosetails Suited for 19 mm ID/26 mm OD Hose
Installation:	Integrated hooks on IBC

MATERIALS

Case:	GRP (Yellow for Acids)
Pump:	PVC Pump head (Grundfos DDA 120)
Elastomers:	FPM
Piping:	PVCu pipework & valves

TRANSPORT

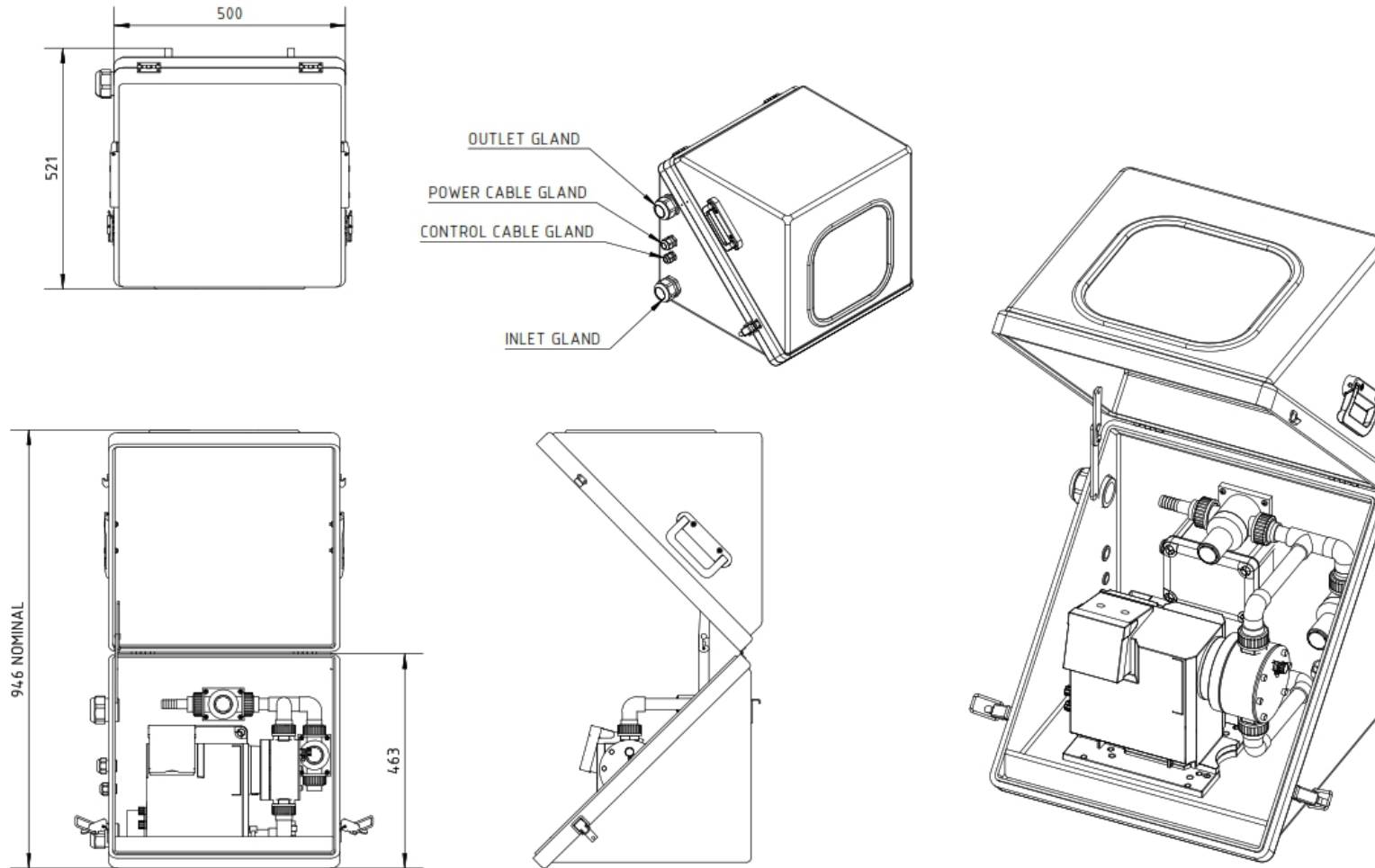
Lifting options:	Manual Handling due to limited weight < 25 kg
------------------	---

QUALITY AND SAFETY

- Bund created by casing
- Bund level leak detection
- Bund leak pump shut off
- Dual Containment hoses
- Premium Brand Pump (Grundfos)
- Viewing window that doubles as splash protection
- Pressure Relief Valve & Pressure Load Valve

OTHERS

Access:	Enclosure access is gained by the latch at the side of the case.
---------	--



**DOSING UNIT - CASE COAGULANTS
POLYMERS 0-120 L/H**

IDEAL USAGE

Projects that require the safe transfer of coagulants or less viscous polymers in a range up to 120 l/h with a maximum pressure of 7 bar

APPLICATIONS

- Dosing of coagulants or less viscous polymers for treatment of waste waters to aid separation
- Dosing of coagulants or less viscous polymers for treatment of sludges and accelerate dewatering



PERFORMANCE

Capacity:	0 - 120 l/h with back pressure at 7 bar
Suction Lift:	3 m in operation 1.5 m at 100% stroke
Max temperature:	45 °C
Back pressure:	7 bar
Turn down ratio:	1000:1

WEIGHT AND MEASURES

Dimensions (HxWxL):	480 mm x 450 mm x 450 mm
Weight:	21 kg approx (empty)

FEATURES

CONNECTIONS

Suction & Discharge:	19 mm Hosetails Suited for 19 mm ID/26 mm OD Hose
Installation:	Integrated hooks on IBC

MATERIALS

Case:	GRP (Grey for Coagulant / Polymers)
Pump:	PVC Pump head
Elastomers:	FPM
Piping:	PVCu pipework & valves

TRANSPORT

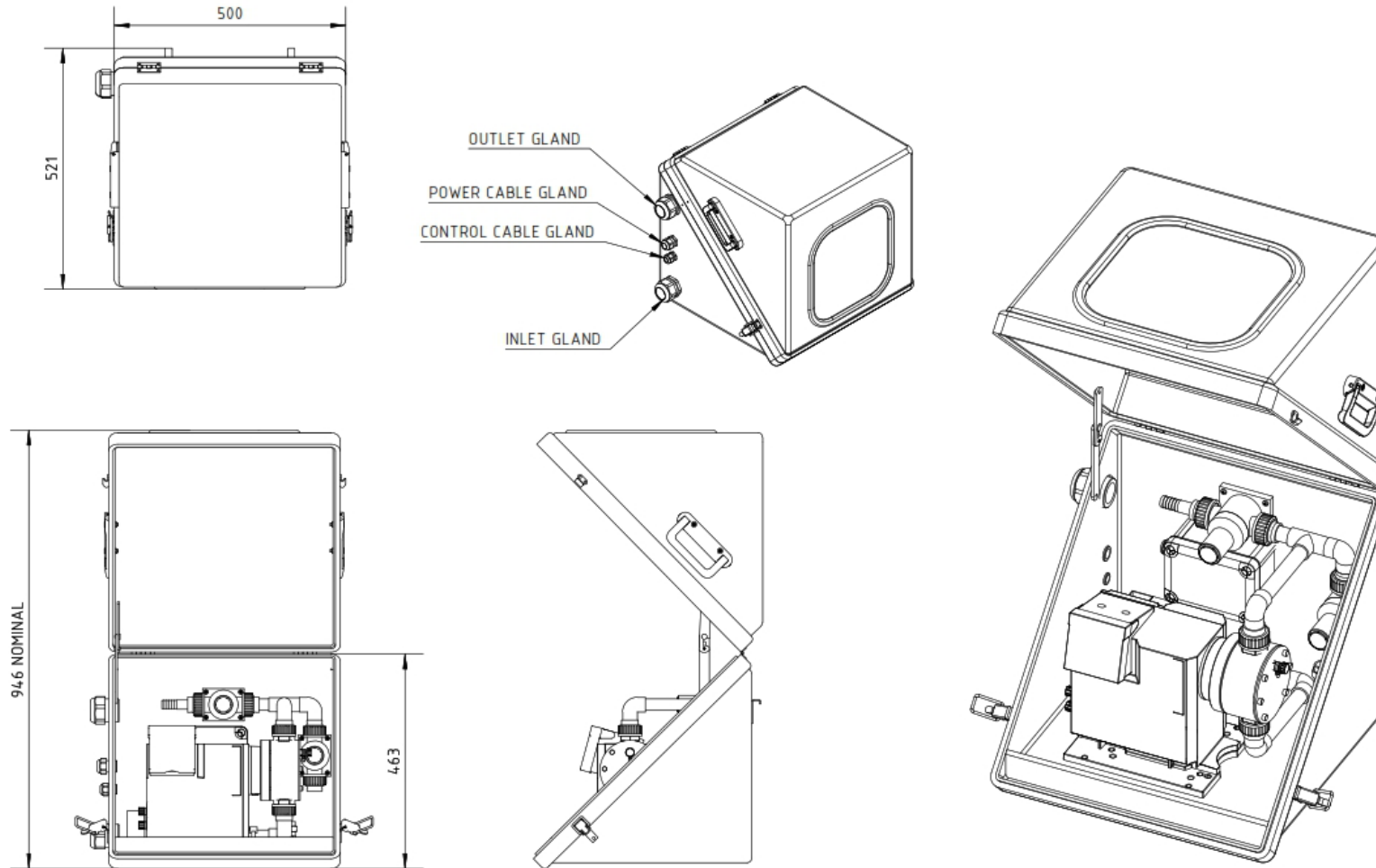
Lifting options:	Manual Handling due to limited weight < 25 kg
-------------------------	---

QUALITY AND SAFETY

- Bund created by casing
- Bund level leak detection
- Bund leak pump shut off
- Dual Containment hoses
- Premium Brand Pump (Grundfos)
- Viewing window that doubles as splash protection
- Pressure Relief Valve & Pressure Load Valve

OTHERS

Access:	Enclosure access is gained by the latch at the side of the case.
----------------	--



DOSING UNIT - CASE CAUSTICS 0-120 L/H

IDEAL USAGE

Projects that require the safe transfer of caustics in a range up to 120 l/h with a maximum pressure of 7 bar

APPLICATIONS

- Neutralisation of effluent prior to discharge
- Change of pH before further chemical treatment
- Introduction of caustics for precipitation



PERFORMANCE

Capacity:	0 - 120 l/h with back pressure at 7 bar
Suction Lift:	3 m in operation 1.5 m at 100% stroke
Max temperature:	45 °C
Back pressure:	7 bar
Turn down ratio:	1000:1

WEIGHT AND MEASURES

Dimensions (HxWxL):	480 mm x 450 mm x 450 mm
Weight:	21 kg approx (empty)

FEATURES

CONNECTIONS

Suction & Discharge:	19 mm Hosetails Suited for 19 mm ID/26 mm OD Hose
Installation:	Integrated hooks on IBC

MATERIALS

Case:	GRP (Green for Caustics)
Pump:	PVC Pump head
Elastomers:	EDPM
Piping:	PVCu pipework & valves

TRANSPORT

Lifting options: Manual Handling due to limited weight < 25 kg

QUALITY AND SAFETY

- Bund created by casing
- Bund level leak detection
- Bund leak pump shut off
- Dual Containment hoses
- Premium Brand Pump (Grundfos)
- Viewing window that doubles as splash protection
- Pressure Relief Valve & Pressure Load Valve

OTHERS

Access: Enclosure access is gained by the latch at the side of the case.

