

3K Lb. H.P. Kleen Water Carbon Filter

Model/Make: 3K HP Filter / Graber 3000HPV

Product Description

These units are designed for the efficient purification of contaminated water or liquid streams. These filters have the ability to remove contaminants to non-detectable levels. The vessels are constructed of heavy-duty mild steel and are lined with a double-layer epoxy coating.

Technical Data

Weights and Measures

Max. Flowrate	100 gpm
Max. Pressure	75 psi
Max. Temperature	150°F
Height	94"
Diameter	60"
Shipping Weight* (drum + media)	3000 lbs. – 6000 lbs. (media dependent)

Wetted Materials *for material compatibility check*

Carbon Steel*	Shell and heads
PVC	Bottom underdrain
Neoprene	Manway gaskets
Carboline Plasite 4110	Internal Liner

* Theoretically if the vessel has an interior liner, no carbon steel should be exposed to the liquid. However, if there are areas of thin or missing liner, bare carbon steel will be exposed. It is always a good idea to check compatibility of carbon steel even if the vessel interior is lined.

Filter Media

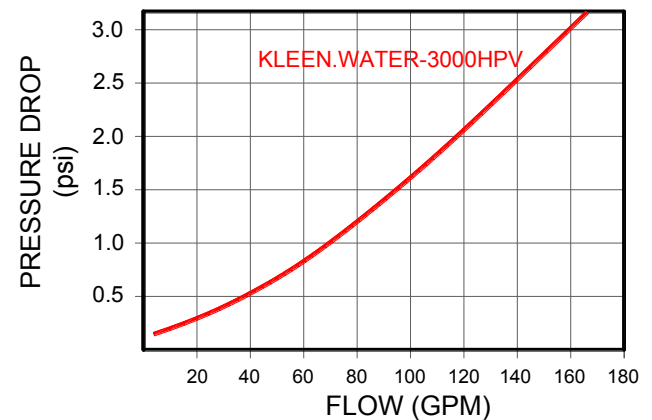
Types	<ul style="list-style-type: none"> • Activated Carbon • Organoclay • Ion Exchange Resin • Specialty Media
Volume	102 cu. ft
Weight	2000 lbs. – 4000 lbs. (media dependent)

Miscellaneous Data

Inlet	4" Female NPT
Outlet	4" Female NPT
Interior Coating	Double-layered epoxy coating
Internals	PVC underdrain
Media Access	Top & side 12"x16" manways (neoprene gaskets)

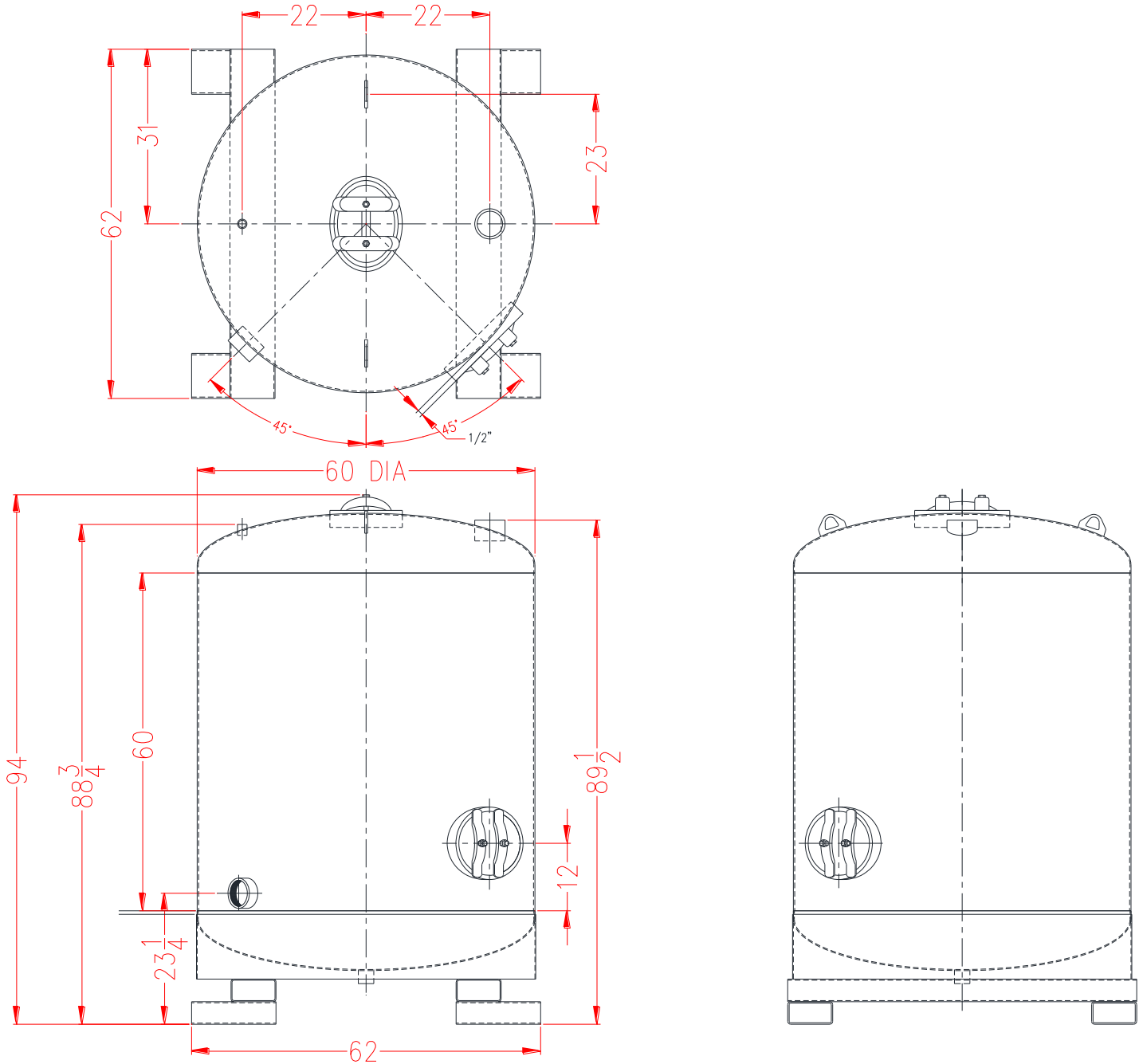
! NOTE: Wet activated carbon preferentially removes oxygen from air. In closed or partially closed containers and vessels, oxygen depletion may reach hazardous levels. If workers are to enter a vessel containing carbon, appropriate procedures for potentially low oxygen spaces must be followed, including all federal and state requirements.

Pressure Drop Data



3K Lb. H.P. Kleen Water Carbon Filter

Model/Make: 3K HP Filter / Graber 3000HPV



100 First Stamford Place, Ste 700
Stamford, Ct 06902 | USA

UnitedRentals.com | 800.UR.RENTS

© 2018 United Rentals, Inc.

To the best of our knowledge the technical data contained herein are true and accurate at the date of issuance and are subject to change without prior notice. No guarantee of accuracy is given or implied because variations can and do exist. NO WARRANTY OR GUARANTEE OF ANY KIND IS MADE BY UNITED RENTALS, EITHER EXPRESSED OR IMPLIED.