

4-Pod 54-inch Diameter Sandfilter

Product Description

Skid mounted high rate automatic backwashing sand media filter (4 tanks (pods)) designed for general-purpose water filtration of organic and inorganic solids (Yardney Model # IL5424-4AS3). Powered by 110 V external power supply, or battery with solar cell recharge for remote operation.

WEIGHTS AND MEASURES

» Capacity: 504 – 756 gpm (Normal flow range) 1000 gpm (Peak flow)
» Design Press: 80 psi maximum
» Temperature: Limit to ambient. Consult Baker if temperature exceeds 100 degrees.
» Filtration: To 50 microns
» Height: 7'-7" (overall)
» Width: 5'-0"
» Length: 20'-1" (skid length) 21'-3" (incl. pipe overhang on end of unit)
» Weight: 4,900 lbs. – equipment only 14,500 lbs. – media only 26,900 lbs. - operational
» Backflush: 240 gpm, automatic

OPERATING REQUIREMENTS

» Compressed Air: 5 cfm minimum at 60 psi supplied by integrally mounted compressor.
» Sand Media: Crushed silica, 0.47MM (#80 grit)
» Gravel Media: #3 crushed rock, ½" x ¾"
» Input Power: Selectable input power of customer supplied 110 V AC, or 12V DC from a unit mounted solar package.
» Output Power: 12V DC

FEATURES

» System Controller: Automatic Filter Controller. Flush activation based on elapsed time and/or pressure differential.
» Piping: Inlet & outlet pipe is 6" A53B, 3/16" wall; weld fittings are A234; flanges are A106. Backflush piping is 4" schedule 40 PVC.
» Solar Panel: Uni-Solar Model UA-5 (5 watts) module.
» Press. Gauge: 2" face, ¼" NPT bottom connection, stainless steel case, plexiglass lens, brass bourdon tube, 0-100 psi range.

FEATURES – con't

» Flowmeter: Six-inch propeller type meter, AWWA C704-92 compliant. Instantaneous flowrate indicator and six-digit totalizer. Accuracy is ±2% of reading. Repeatability of 0.25%. Rated at 90-1200 gpm, 150 psi, 160°F. Tube: epoxy-coated carbon steel; Impeller: high-impact plastic.
» Butterfly Valves: <u>Effluent / Influent:</u> 6" with cast iron body (epoxy coated), EPDM seat, 304 SS stem and aluminum bronze disc. <u>Tank Isolation:</u> 4", grooved ends, EPDM disc coating
» Ball Valves: Four-inch, bronze body and brass ball; seat is carbon/glass-filled PTFE. ¼ turn open or close.
» Solenoid Valve: 12V DC, normally closed type 7121V (energizing opens valve).
» Differential Press. Switch: 0-30 psid. Two-inch dial, plated steel case, ±3% accuracy.
» Air / Vacuum Release Valve: 2" valve, mounted on backwash, influent and effluent lines
» Battery: Sealed rechargeable lead-acid, 12V, NP2.6-12
» Battery Charger: Power-Sonic Model PSC-12500A, 12 volts.
» Tubing: Pressurized – ¼" 304 ss w/ Hoke fittings; Drain - ¼" polypropylene; Vent – schedule 80 PVC

SURFACE DETAILS

» Interior Coating: 3M Skotchkote 134
» Exterior Coating: High Gloss Polyurethane

WETTED MATERIALS (for material compatibility check)

Carbon Steel* Pod shell and heads; piping; flowmeter
304 Stainless Steel Pressurized tubing
Cast Iron Butterfly valves
EPDM Butterfly valve seats & disc coating
Bronze/Brass Ball valves
PVC Vent tubing
3M Skotchkote 134 Vessel lining

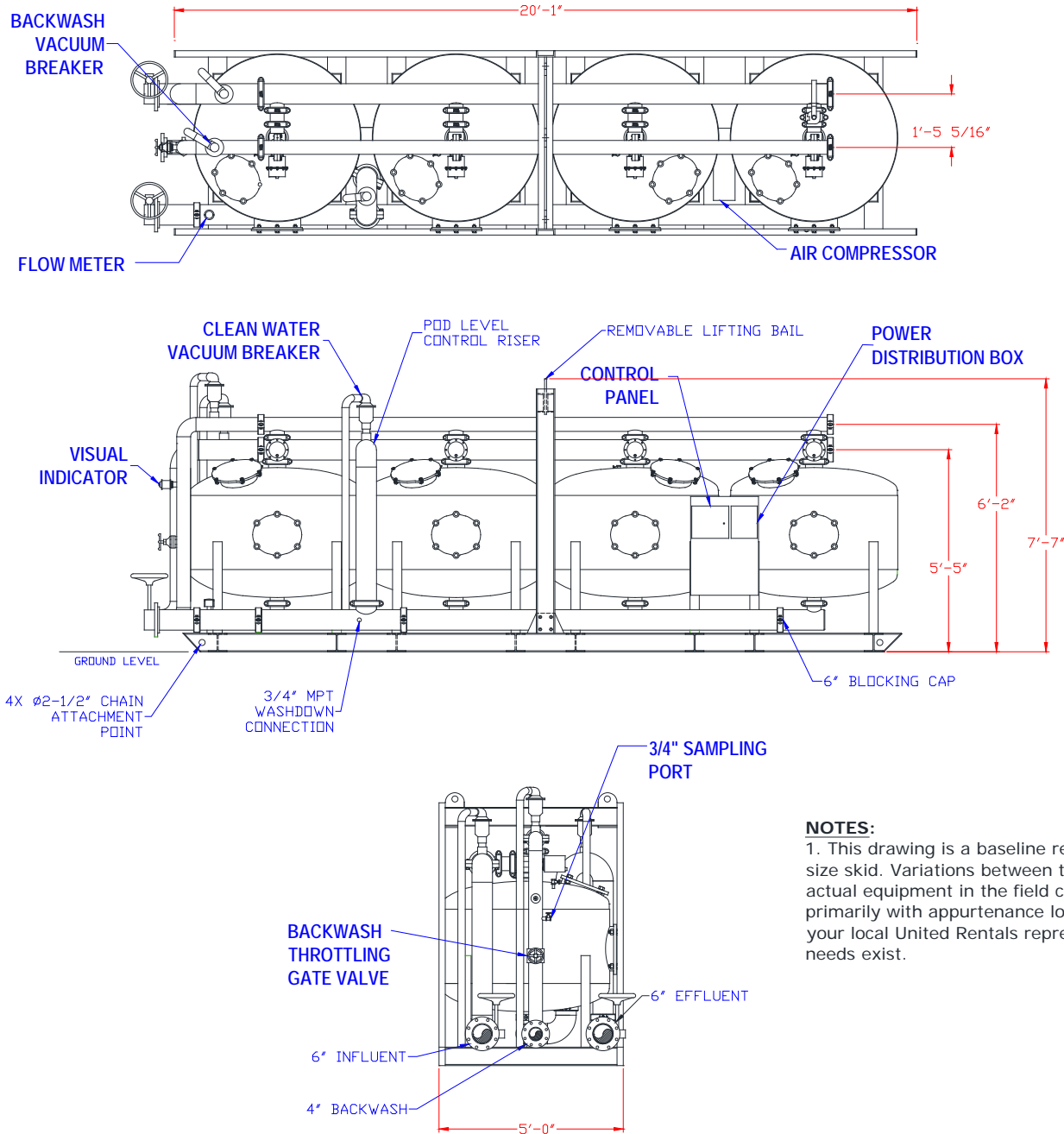
*Theoretically if the vessel has an interior liner, no carbon steel should be exposed to the liquid. However, if there are areas of thin or missing liner, bare carbon steel will be exposed. It is always a good idea to check compatibility of carbon steel even if the vessel interior is lined.



UnitedRentals.com | 800.UR.RENTS
© 2018 United Rentals, Inc.

To the best of our knowledge the technical data contained herein are true and accurate at the date of issuance and are subject to change without prior notice. No guarantee of accuracy is given or implied because variations can and do exist. NO WARRANTY OR GUARANTEE OF ANY KIND IS MADE BY UNITED RENTALS, EITHER EXPRESSED OR IMPLIED.

4-Pod 54-inch Diameter Sandfilter



NOTES:
 1. This drawing is a baseline representation for this size skid. Variations between this drawing and the actual equipment in the field can exist, primarily with appurtenance locations. Consult your local United Rentals representative if specific needs exist.



100 First Stamford Place, Ste 700
 Stamford, CT 06902 | USA

UnitedRentals.com | 800.UR.RENTS
 © 2018 United Rentals, Inc.

To the best of our knowledge the technical data contained herein are true and accurate at the date of issuance and are subject to change without prior notice. No guarantee of accuracy is given or implied because variations can and do exist. NO WARRANTY OR GUARANTEE OF ANY KIND IS MADE BY UNITED RENTALS, EITHER EXPRESSED OR IMPLIED.