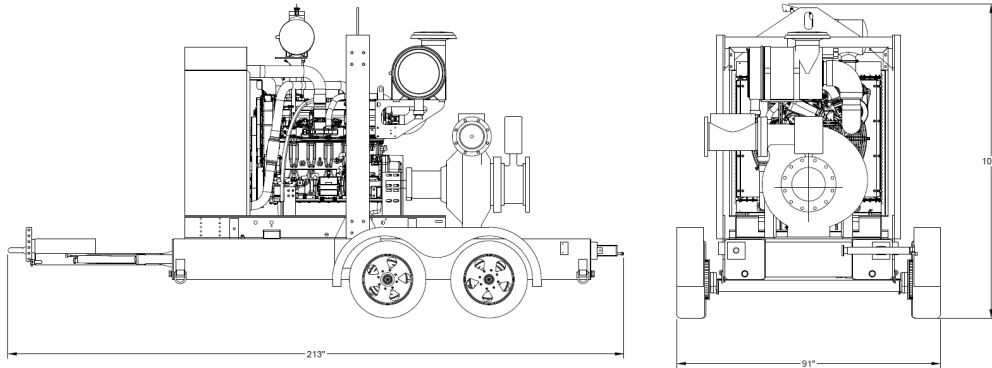


12 x 8 Diesel Pump

Vacuum Assisted

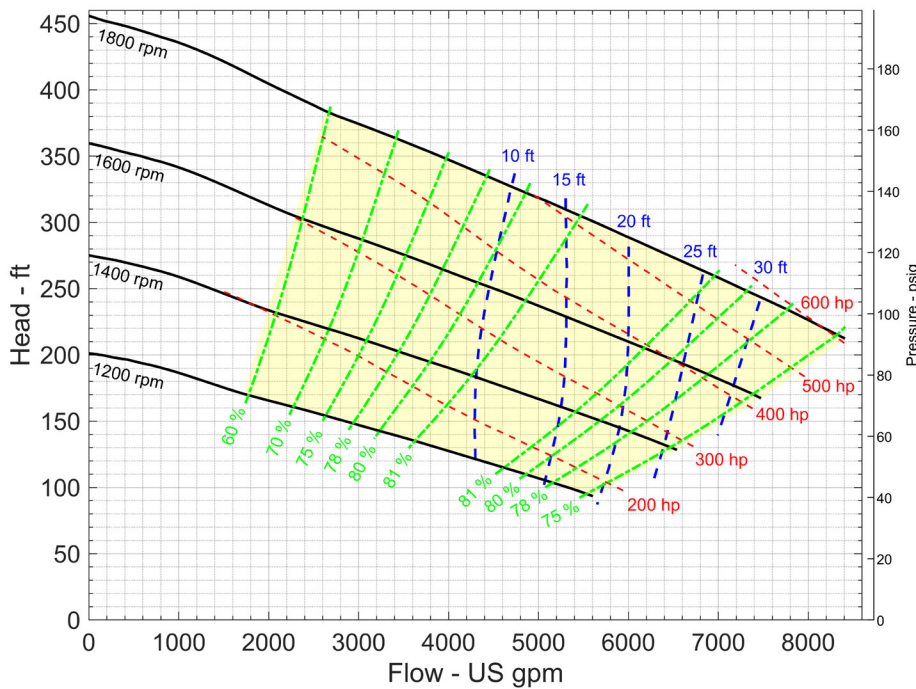
Dimensional Drawing



Dimensional Details

Type A	
Total Weight wo/Fuel	12420 lbs
Total Weight w/Fuel	14550 lbs
Overall Height	108 inch
Overall Width	91 inch
Overall Length	213 inch
Type B	
Total Weight wo/Fuel	12420 lbs
Total Weight w/Fuel	14550 lbs
Overall Height	115 inch
Overall Width	91 inch
Overall Length	202 inch

Performance Curve



Pump Make	Cornell
Pump Model	8NHTH
Operating Speed	Variable
Min. Speed	1200 rpm
Max. Speed	1800 rpm
Impeller Rated Dia.	20 inch
Impeller Type	Enclosed
No. of Impeller Vanes	2
Solid Dia.	4 inch
Specific Speed	2062 US Units
Suction Size	10 inch
Discharge Size	8 inch