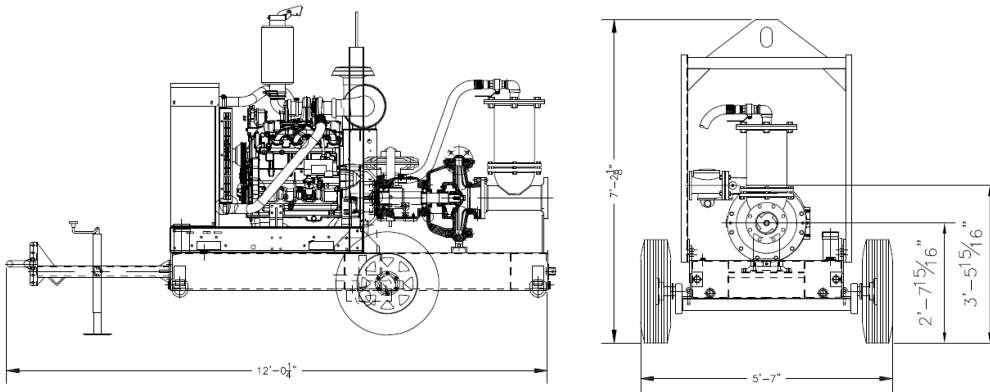


6" Stainless Steel Diesel Pump

Vacuum Assisted

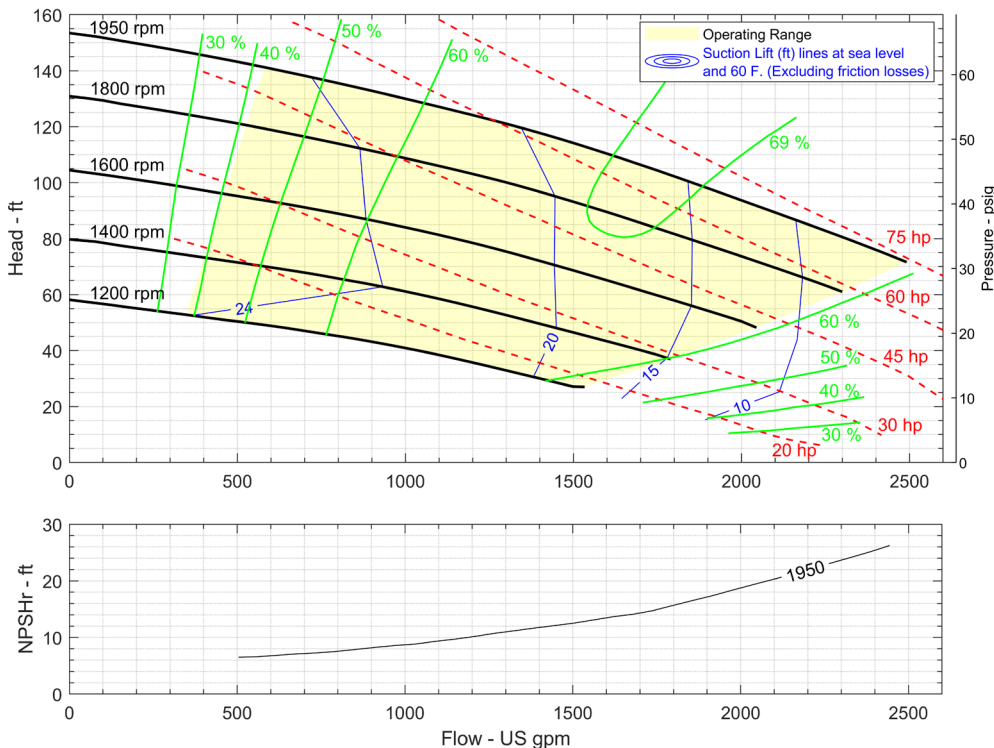
Dimensional Drawing



Dimensional Details

Total Weight wo/Fuel	3748 lbs
Total Weight w/Fuel	4338 lbs
Overall Height	86 inch
Overall Width	67 inch
Overall Length	145 inch

Performance Curve



Pump Make	Pioneer Pump
Pump Model	PP66S12
Operating Speed	Variable
Min. Speed	1200 rpm
Max. Speed	1950 rpm
Impeller Rated Dia.	11 inch
Impeller Type	Enclosed
No. of Impeller Vanes	2
Solid Dia.	3 inch
Specific Speed	2822 US Units
Suction Size	6 inch
Discharge Size	6 inch



100 First Stamford Place, Ste 700
Stamford, Ct 06902 | USA

UnitedRentals.com | 800.UR.RENTS

© 2018 United Rentals, Inc.