

6" Diesel Pump

Vacuum Assisted

Product Description

Diesel engine driven centrifugal pump equipped with vacuum-assisted priming system. Trailer mounted for easy transportation having the following additional features: Run dry mechanical seal, Auto-start control, monitoring of fuel level, engine load, run time, oil and coolant temperature, and telemetry system.

Technical Data

Operating Parameters

Min. / Max. Flow	326 gpm / 2490 gpm
Min. / Max. Shutoff Head	58 ft (25psi) / 154 ft (67psi)
Maximum Casing Pressure	260 psi
Maximum Temperature	200°F
Maximum Solid Size	3 inch
Min. / Max. Pump Speed	1200 rpm / 1950 rpm

Pump & Accessory Specifications

Suction / Discharge Size	6 inch / 6 inch
Impeller Diameter	11 inch
Vacuum System - Type / Capacity	Diaphragm / 50 CFM

Casing	Ductile Iron
Impeller	CA6NM Stainless Steel
Wear Ring	Gray Iron 40
Shaft	17-4PH Stainless Steel
Mechanical Seal Faces	Tungsten/Silicon-Carbide
Mechanical Seal Lubrication	ISO Viscosity Grade 32 or Lower <i>(synthetic recommended)</i>
O-rings & Gaskets	Buna-N & Viton
Check Valve Body	Ductile Iron
Check Valve Flapper	Buna-N
Check Valve Type	Swing type

Notes

- Performance data based on water at 60°F
- Run time indicated is for reference and could vary based on speed and engine loads
- Maximum temperature is the equipment material limitation. Based on the application, process, product and NPSH requirements, the maximum allowable temperature could be lower
- This pump is also available with a 20 CFM venturi-compressor priming system

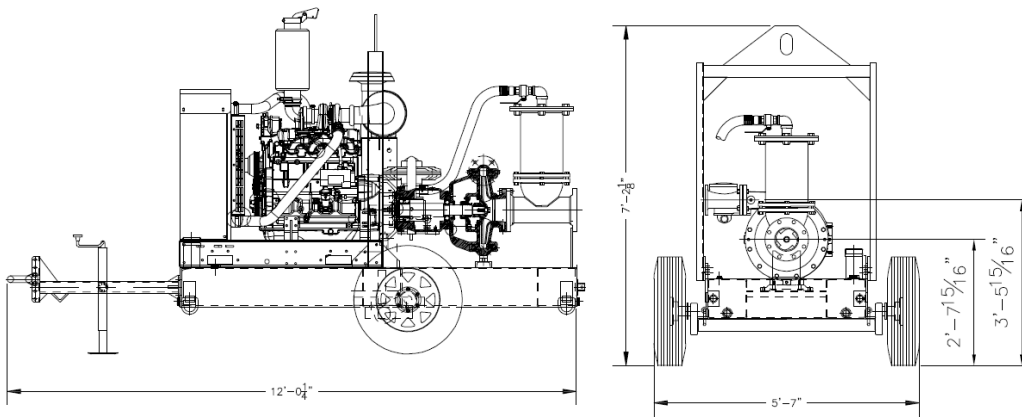
Driver Properties	Type A	Type B	Type C
Driver Type	Diesel Engine	Diesel Engine	Diesel Engine
Driver Make	John Deere	Duetz	Duetz
Model	4045TF290	D914L04	TD2.9L4
Max. Continuous Rating	74 hp	78 hp	75 hp
Total Displacement	4.5 liters	4.3 liters	2.92 liters
Aspiration	Turbocharged	Turbocharged	Turbocharged
Number of Cylinders	4	3	4
Safety Shutdowns	Low Oil Pressure, High Temp.	Low Oil Pressure, High Temp. & V-Belt Failure	Low Oil Pressure, High Temp. & V-Belt Failure
Fuel Consumption	3.3 gal/hr @ 1800 rpm	3.5 gal/hr @ 1800 rpm	3 gal/hr @ 1800 rpm
Run Time	25.5 hours @ 1800 rpm	24.3 hours @ 1800 rpm	28.2 hours @ 1800 rpm
Fuel Type	No. 2 Diesel: NO BIODIESEL	No. 2 Diesel: NO BIODIESEL	No. 2 Diesel: NO BIODIESEL
Fuel Capacity	85 U.S. gallons	85 U.S. gallons	85 U.S. gallons



6" Diesel Pump

Vacuum Assisted

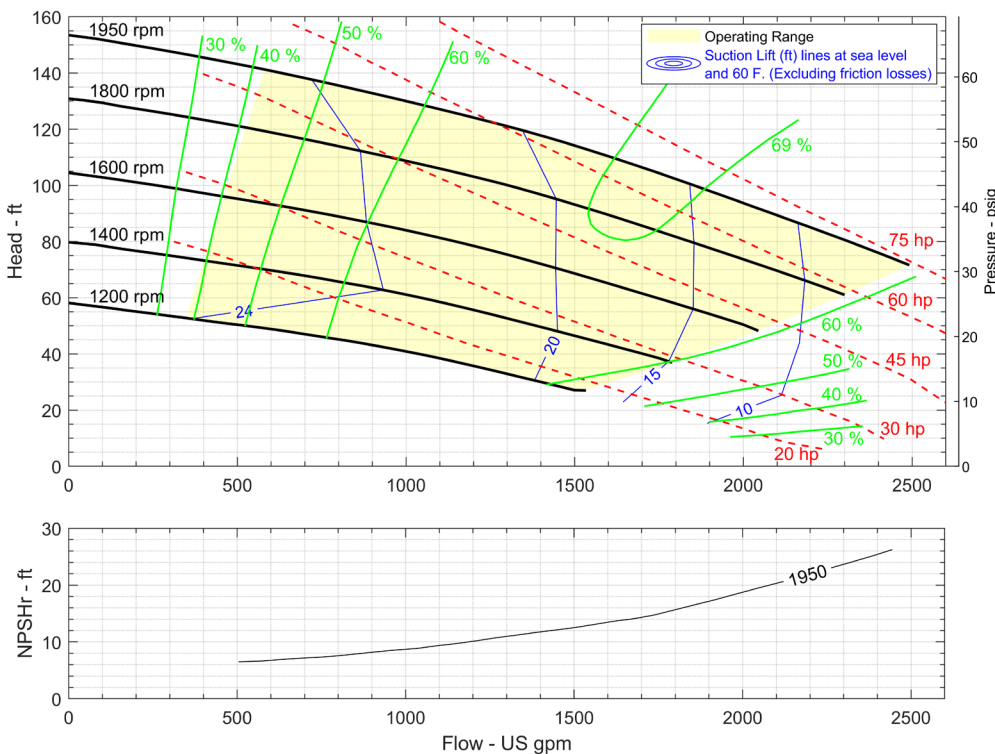
Dimensional Drawing



Dimensional Details

Total Weight wo/Fuel	3787 lbs
Total Weight w/Fuel	4390 lbs
Overall Height	86 inch
Overall Width	67 inch
Overall Length	145 inch

Performance Curve



Pump Make	Pioneer Pump
Pump Model	PP66S12
Operating Speed	Variable
Min. Speed	1200 rpm
Max. Speed	1950 rpm
Impeller Rated Dia.	11 inch
Impeller Type	Enclosed
No. of Impeller Vanes	2
Solid Dia.	3 inch
Specific Speed	2822 US Units
Suction Size	6 inch
Discharge Size	6 inch



100 First Stamford Place, Ste 700
Stamford, Ct 06902 | USA

UnitedRentals.com | 800.UR.RENTS

© 2018 United Rentals, Inc.