

6 x 3 Diesel Pump

Vacuum Assisted

Product Description

Diesel engine driven centrifugal pump equipped with vacuum-assisted priming system.

Trailer mounted for easy transportation having the following additional features: Run dry mechanical seal, Auto-start control, monitoring of fuel level, engine load, run time, oil and coolant temperature, and telemetry system.

Technical Data

Operating Parameters

Min. / Max. Flow	330 gpm / 1090 gpm
Min. / Max. Shutoff Head	224 ft (97psi) / 481 ft (208psi)
Maximum Casing Pressure	175 psi
Maximum Temperature	200°F
Maximum Solid Size	0.5 inch
Min. / Max. Pump Speed	1600 rpm / 2400 rpm

Pump & Accessory Specifications

Suction / Discharge Size	6 inch / 3 inch
Impeller Diameter	15.22 inch
Vacuum System - Type / Capacity	Diaphragm / 50 CFM

Casing	Cast Iron
Impeller	CA6NM Stainless Steel
Wear Ring	Cast Iron
Shaft	Stressproof Steel
Mechanical Seal Faces	Tungsten/Silicon-Carbide
Mechanical Seal Lubrication	ISO Viscosity Grade 32 or Lower <i>(synthetic recommended)</i>
O-rings & Gaskets	Buna-N
Check Valve Body	Ductile Iron
Check Valve Flapper	Buna-N
Check Valve Type	Swing type

Driver Properties

Driver Type	Diesel Engine
Driver Make	John Deere
Model	6068HF285
Max. Continuous Rating	173 hp
Total Displacement	6.8 liters
Aspiration	Turbocharged & air-to-airaftercooled
Number of Cylinders	6
Safety Shutdowns	Low Oil Pressure, High Temp.
Fuel Consumption	3.9 gal/hr @ 1800 rpm
Run Time	35 hours @ 1800 rpm
Fuel Type	No. 2 Diesel: NO BIODIESEL
Fuel Capacity	135 U.S. gallons



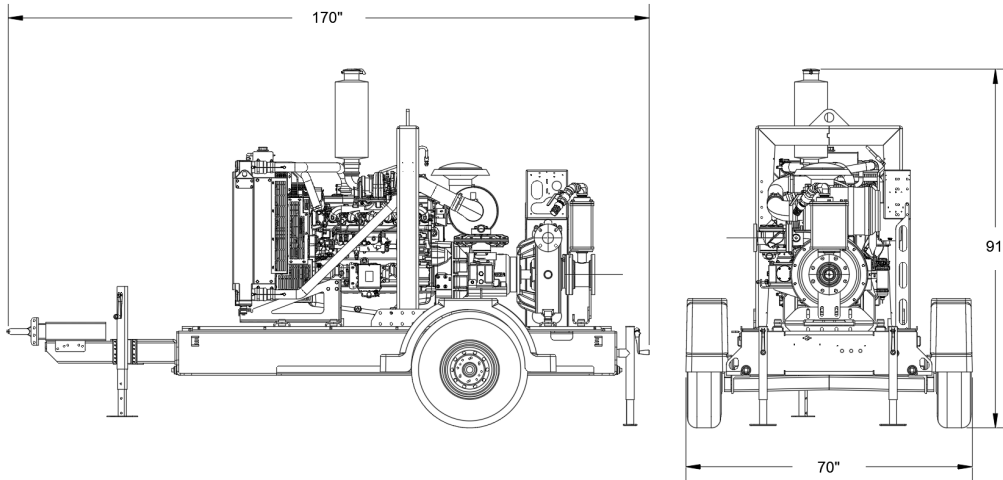
Notes

- Performance data based on water at 60°F
- Run time indicated is for reference and could vary based on speed and engine loads
- Maximum temperature is the equipment material limitation. Based on the application, process, product and NPSH requirements, the maximum allowable temperature could be lower
- This pump is also available with a 20 CFM venturi-compressor priming system

6 x 3 Diesel Pump

Vacuum Assisted

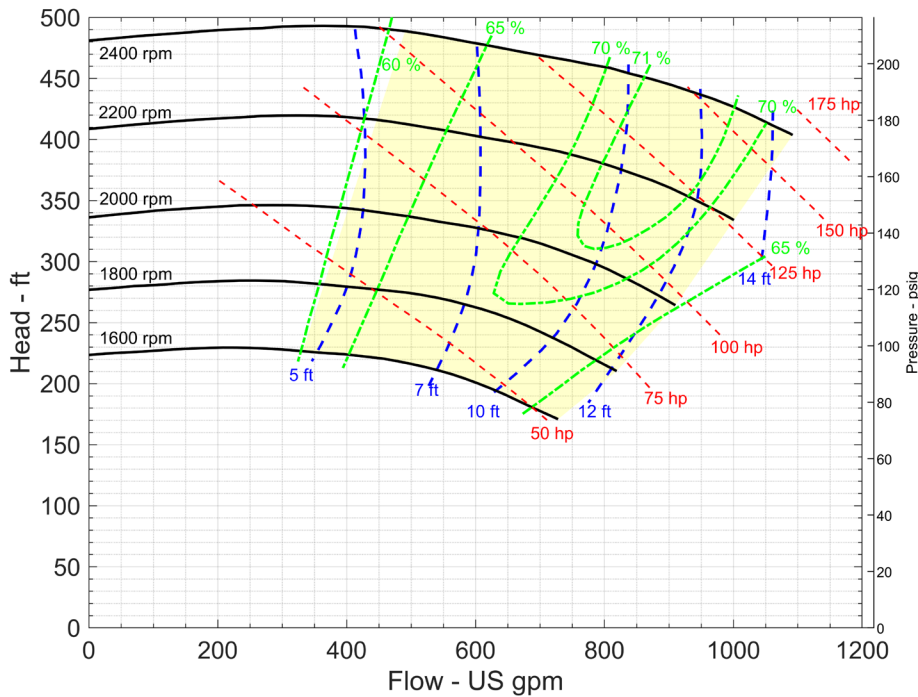
Dimensional Drawing



Dimensional Details

Total Weight wo/Fuel	4100 lbs
Total Weight w/Fuel	5060 lbs
Overall Height	91 inch
Overall Width	70 inch
Overall Length	170 inch

Performance Curve



Pump Make	Cornell
Pump Model	3HC
Operating Speed	Variable
Min. Speed	1600 rpm
Max. Speed	2400 rpm
Impeller Rated Dia.	15.22 inch
Impeller Type	Enclosed
No. of Impeller Vanes	6
Solid Dia.	0.5 inch
Specific Speed	775 US Units
Suction Size	6 inch
Discharge Size	3 inch



100 First Stamford Place, Ste 700
Stamford, Ct 06902 | USA

UnitedRentals.com | 800.UR.RENTS

© 2018 United Rentals, Inc.